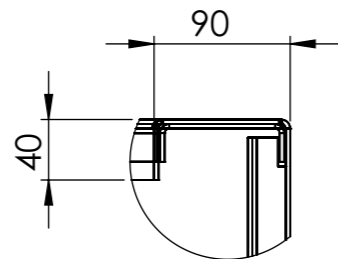
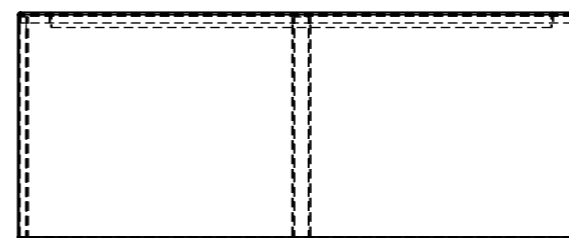
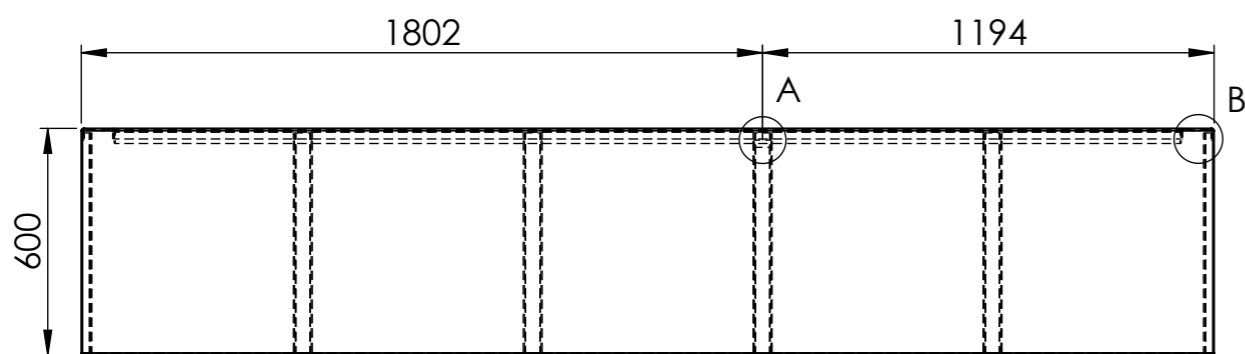
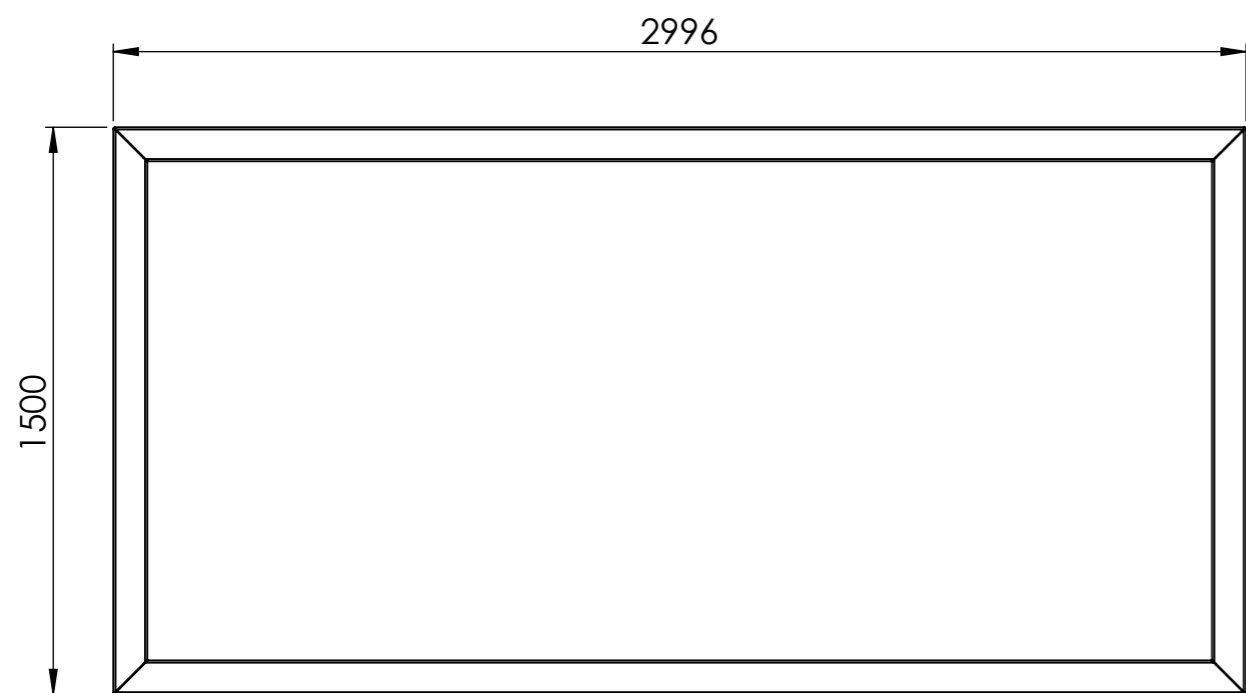
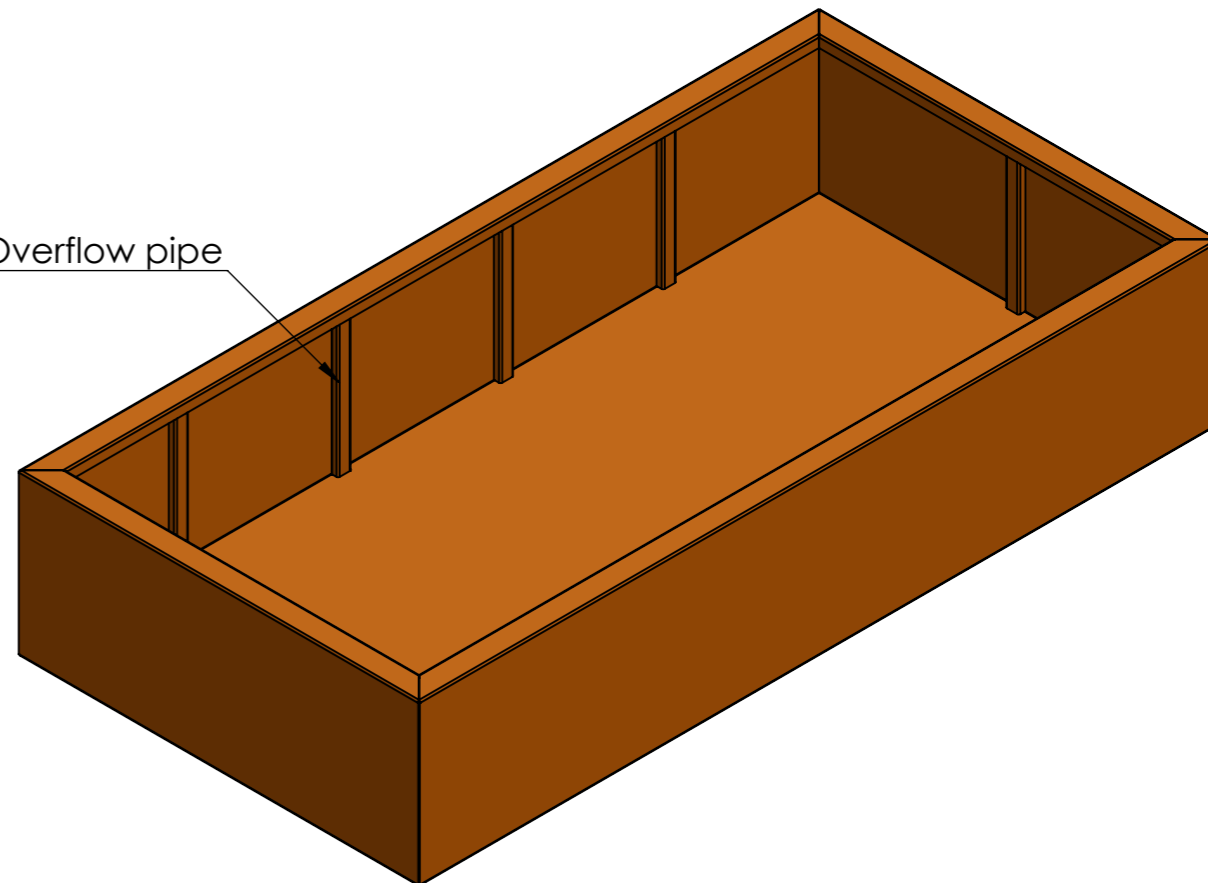


DETAIL A  
SCALE 1 : 5



DETAIL B  
SCALE 1 : 5

Overflow pipe



		DATE	
DRAWN	Luuk van den Heuvel	2-2-2020	
REVISION	Bas Vlamings	5-4-2024	

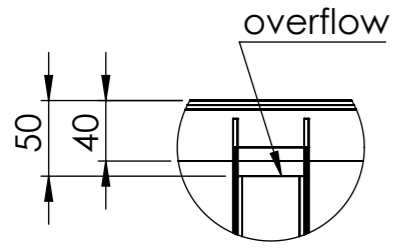
TITLE:	3mm Corten	
--------	------------	--

**ADEZZ**  
DESIGN TO GROW

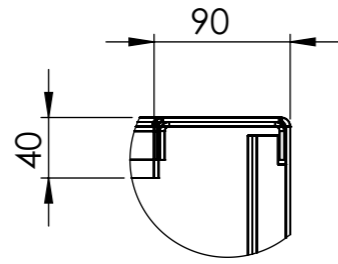
Liessentstraat 4, 5405 AG Uden (NL).  
 † 0031 (0)413 - 27 41 68.  
 e info@adezz.com, i www.adezz.com

Drawing:	VC5_	A3
----------	------	----

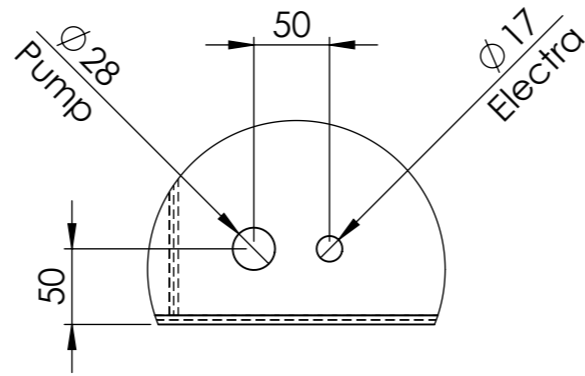
Color:	-	Mass (kg):	<b>298,24</b>	SCALE:1:20	SHEET 1 OF 13
--------	---	------------	---------------	------------	---------------



DETAIL A  
SCALE 1 : 5



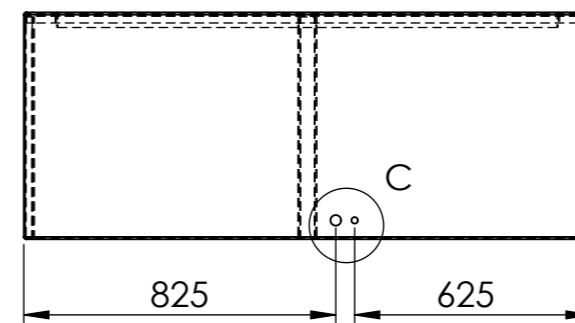
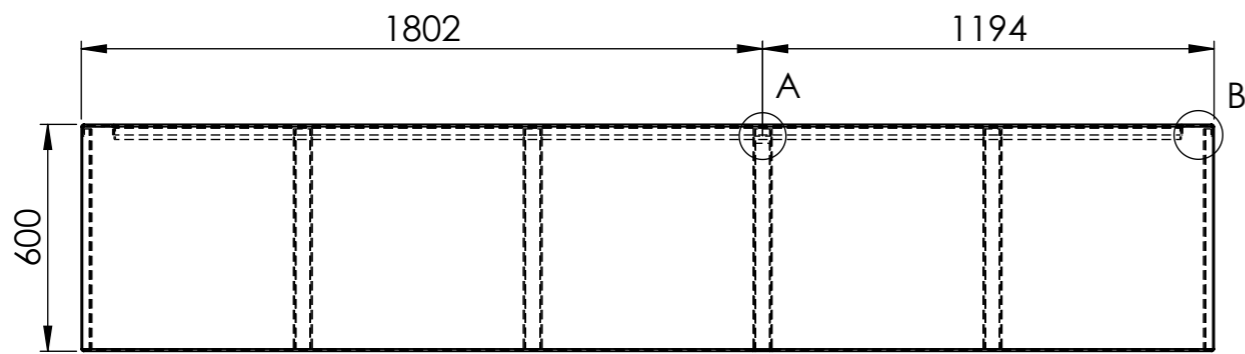
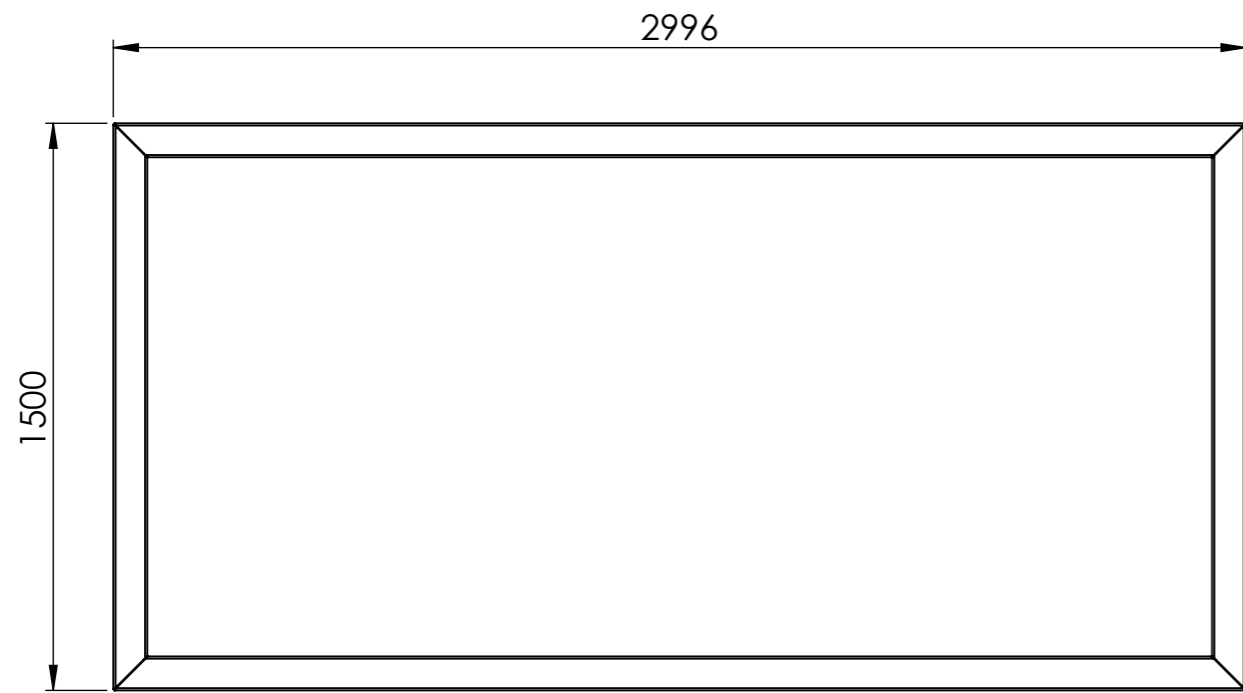
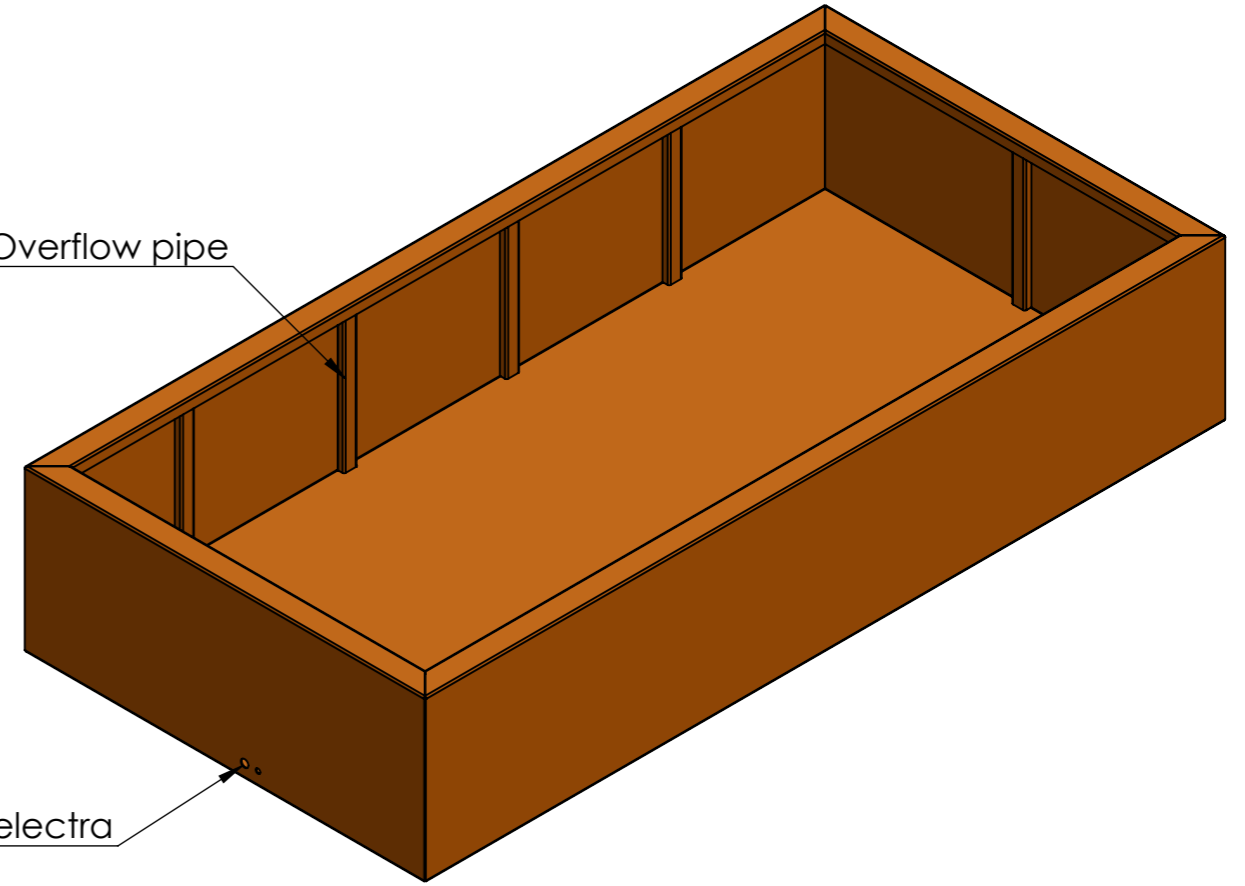
DETAIL B  
SCALE 1 : 5



DETAIL C  
SCALE 1 : 5

Overflow pipe

Pump and electra



		DATE		TITLE:
DRAWN	Luuk van den Heuvel	2-2-2020		
REVISION	Bas Vlamings	5-4-2024		

3mm Corten

**ADEZZ**  
DESIGN TO GROW

Liessentstraat 4, 5405 AG Uden (NL).  
t 0031 (0)413 - 27 41 68.  
e info@adezz.com, i www.adezz.com

Drawing: VC5\_

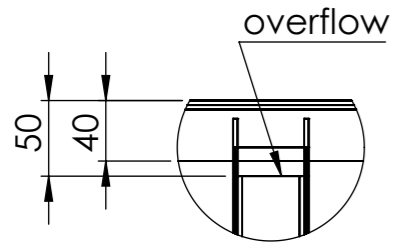
A3

Color: -

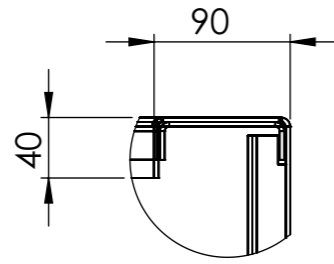
Mass (kg): **298,22**

SCALE:1:20

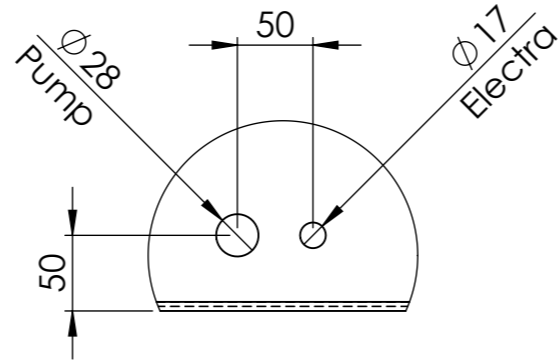
SHEET 1 OF 13



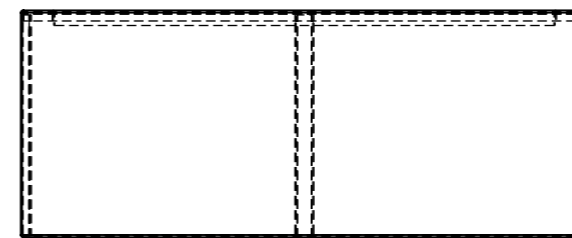
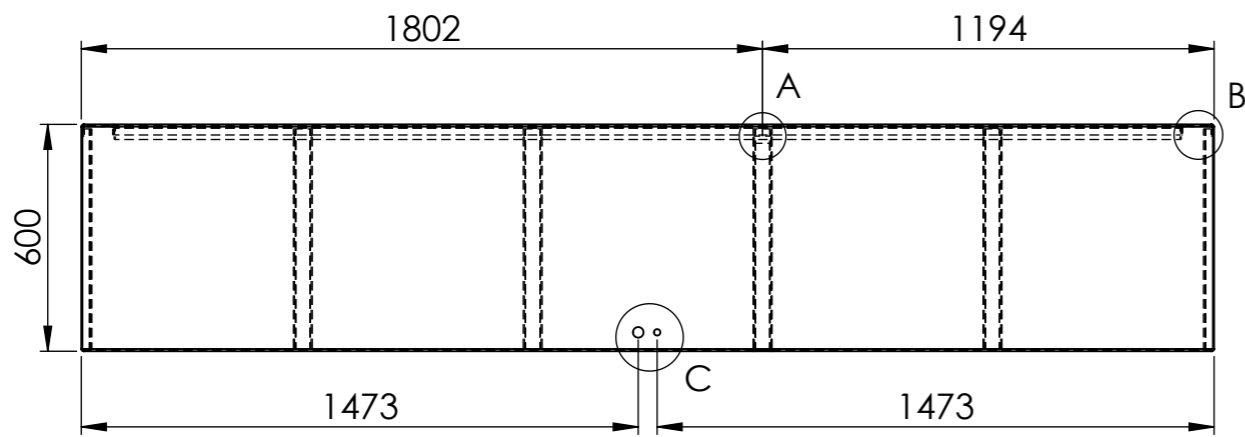
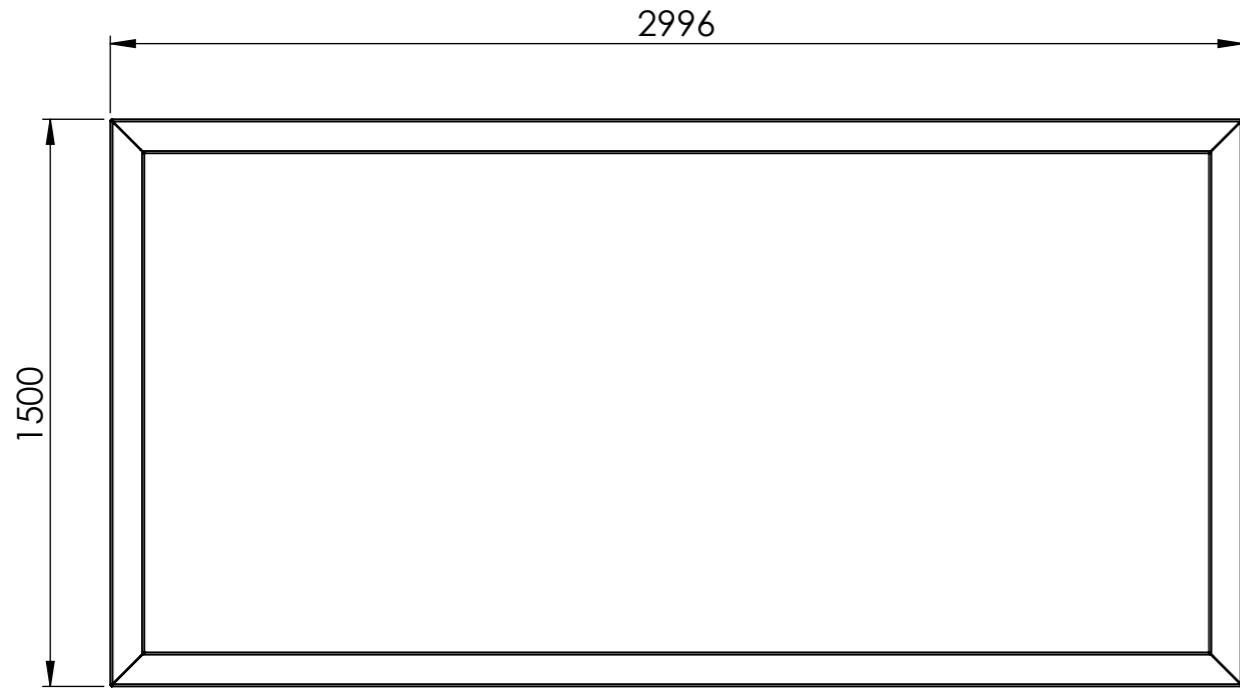
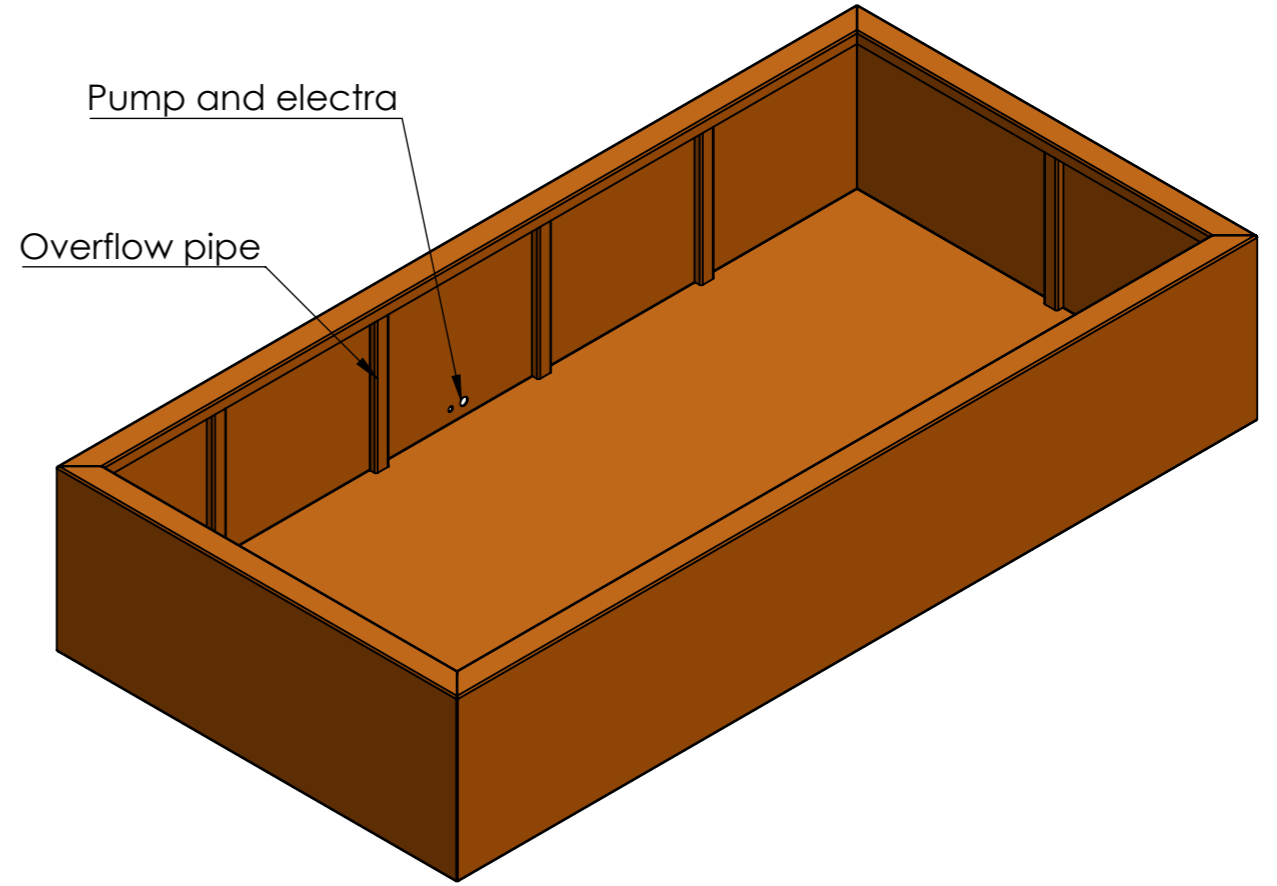
DETAIL A  
SCALE 1 : 5



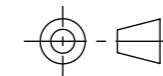
DETAIL B  
SCALE 1 : 5



DETAIL C  
SCALE 1 : 5



DRAWN	Luuk van den Heuvel	DATE	2-2-2020
REVISION	Bas Vlamings	DATE	5-4-2024



TITLE:	3mm Corten	
--------	------------	--

**ADEZZ**  
DESIGN TO GROW

Liessentstraat 4, 5405 AG Uden (NL).  
t 0031 (0)413 - 27 41 68.  
e info@adezz.com, i www.adezz.com

Drawing:	VC5_	A3
----------	------	----

Color:	-	Mass (kg):	<b>298,22</b>	SCALE:1:20	SHEET 1 OF 13
--------	---	------------	---------------	------------	---------------